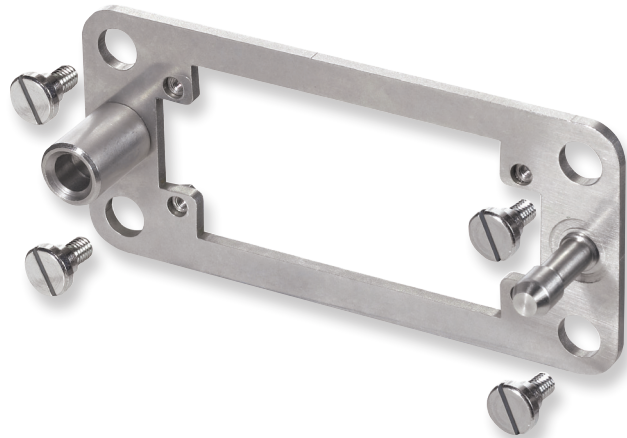


revos docking frame for contact inserts

Description

The **revos** docking frame can accommodate contact inserts belonging to the BASIC, POWER, FLEX and DD families. It implements the “floating” mounting of the inserts; its robust alignment pins bring the contact inserts together, affording them reliable protection against mechanical damage. The docking frames lend themselves perfectly to use for power and control purposes in machinery and plant. The frames are available in sizes 6, 10, 16 and 24.



Features

- ❑ robust alignment pins for affording contact inserts reliable protection against mechanical damage
- ❑ For use in combination with **revos** BASIC, POWER, FLEX and DD contact inserts
- ❑ Size 6, 10, 16 and 24
- ❑ Symmetric design and hence “mutually-pluggable”

Description	Type	Part. No.	P.U.
revos docking frame			
Size 6	ADR 6	Z5.560.1019.0	1
Size 10	ADR 10	Z5.560.1119.0	1
Size 16	ADR 16	Z5.560.1219.0	1
Size 24	ADR 24	Z5.560.1319.0	1
Technical data			
Material			
Docking frame	Stainless steel		
Fastening screws	Steel, galvanized		
Floating tolerance			
x-axis	±1.5 mm		
y-axis	±1.5 mm		
Mechanical life			
Mating cycles	500		
Scope of supply			
	1 docking frame, including 4 fastening screws M3		



Headquarters:
Wieland Electric GmbH
Brennerstraße 10 – 14
96052 Bamberg, Germany

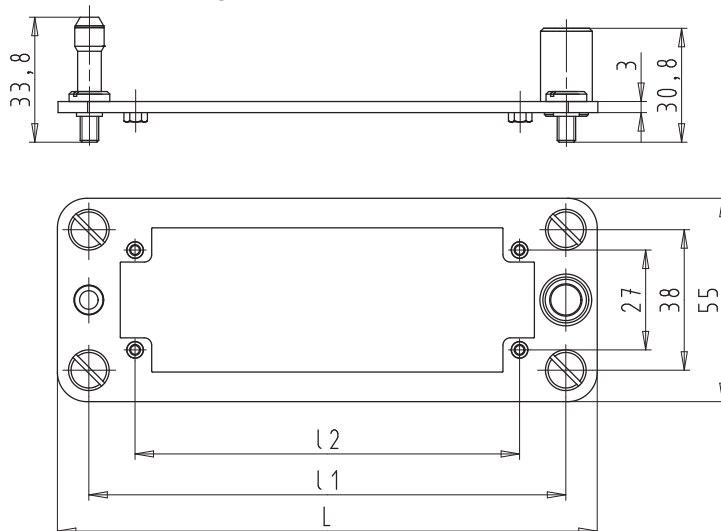
Sales Center:
Wieland Electric GmbH
Benzstraße 9
96052 Bamberg, Germany

Phone +49 951 93 24-0
Fax +49 951 93 24-198
www.wieland-electric.com
info@wieland-electric.com

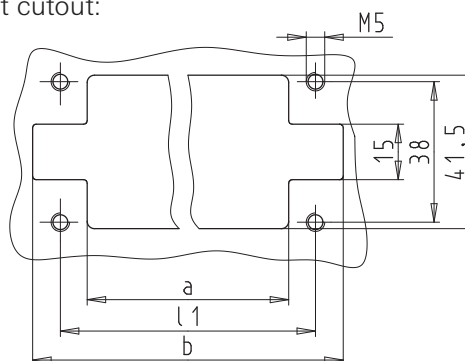
Technical information

Dimensions

Dimensional drawing:



Sheet cutout:



Size	L [mm]	l1 [mm]	l2 [mm]	a [mm]	b [mm]
6	86	69	44	54.5	84
10	99	82	57	67.5	97
16	119.5	102.5	77.5	88	117.5
24	146	129	104	114.5	144

Note:

The installation type can alter the air gap and creepage distances, and therefore influence the rated voltage.

The mounting wall must be earthed due to the floating frame.

Industrial technology

Solutions for the control cabinet

- DIN rail terminal blocks
 - Screw, tension spring or push-in connection technology
 - Wire cross sections up to 240 mm²
 - Numerous special functions
 - Software solutions interfacing to CAE systems
- Safety
 - Safe signal acquisition
 - Safety switching devices
 - Modular safety modules
 - Compact safety controllers
 - Application consulting and training
- Network engineering and fieldbus systems
 - Remote maintenance via VPN industrial router and VPN service portal
 - Industrial Ethernet switches
 - PLC and I/O systems, standard and increased environmental conditions
- Interface
 - Power supply units
 - Overvoltage protection
 - Coupling relays, semiconductor switches
 - Timer relays, measuring and monitoring relays
 - Analog coupling and converter modules
 - Passive interfaces

Solutions for field applications

- Decentralized installation and automation technology
 - Electrical installation for wind tower
 - Fieldbus interfaces and motor starters
- Connectors for industrial applications
 - Rectangular and round connectors
 - Aluminum or plastic housings
 - Degree of protection up to IP68
 - Current-carrying capacity up to 100A
 - Connectors for hazardous areas
 - Modular, application-specific technology

PC board terminals and connectors

- Screw or spring clamp connection technology
- Spacings: 3.5mm to 10.16mm
- Reflow or wave soldering process

Building and installation technology

- Building installation systems
 - Main power supply connectors IP20/IP65...IP68
 - Bus connectors
 - Low-voltage connectors
 - Power distribution system with flat cables
 - Distribution systems
 - Bus systems in KNX, LON and wireless technology
 - DIN rail terminal blocks for electrical installations
 - Overvoltage protection